

MAYES-3

HIGH SECURITY BARRIER SEAL



TECHNICAL CHARACTERISTICS:

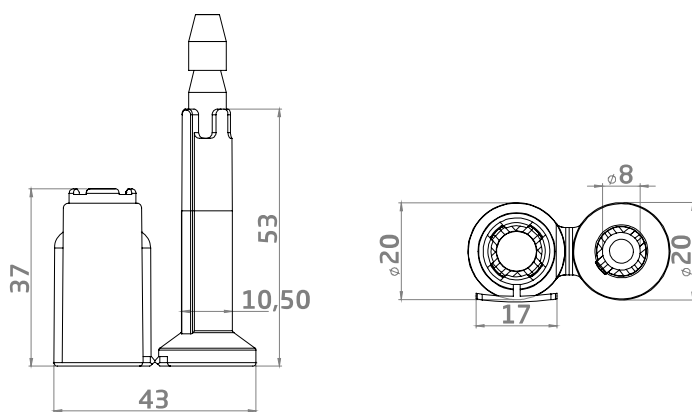
Material: Steel + ABS

Tensile strength: 10 KN (> 1000 kg)

Available colors: white

Other colors: consult

Meets 17712 standard
for high security seal and C-TPAT



TECHNICAL DATA:

Printing area: 15 x 30 mm.

Filament section: \varnothing 8/10,5 mm.

PRINT OPTIONS:

Correlative numbering

Logo and / or text

Barcode

TYPES OF PRINTING:

Laser

PACKAGING:

Quantity per box: 250 units

Box weight: 14 kg.

Box size: 39x19x16 cm

APPLICATIONS:

Trucks, containers

