

MALU

Semi-barrier type security seal with and without strap



Patented by Prometal

CARACTERÍSTICAS TÉCNICAS

Material: **PP**

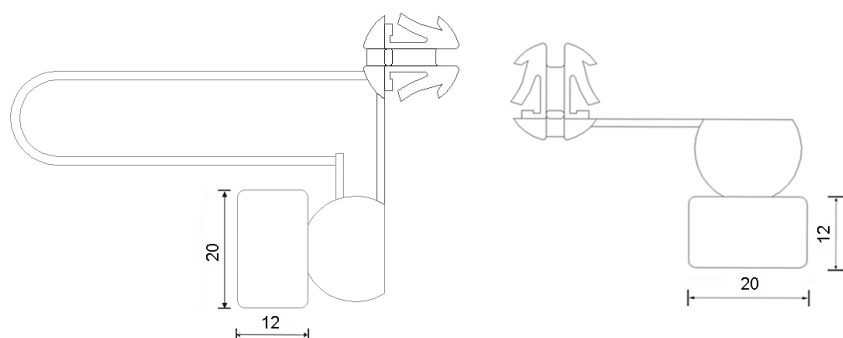
Closure: **no metal insert**

Tensile strength: **5 kg.**

Available colours: **red, white, yellow**

Other colours please check

Highly resistant to temperature changes



TECHNICAL DETAILS

Printing Area: **20 x 12 mm.**

Strap section: **1,3 x 1,3 mm.**

Lock length: **120 / ∞ mm.**

Total length: **n / a**

PRINTING OPTIONS

Consecutive numbering

Logo and/or text

PRINTING TECHNOLOGY

Laser

PACKAGING MALU with strap

Quantity per box: 5.000 pcs.

Carton weight: 6.900 Kg.

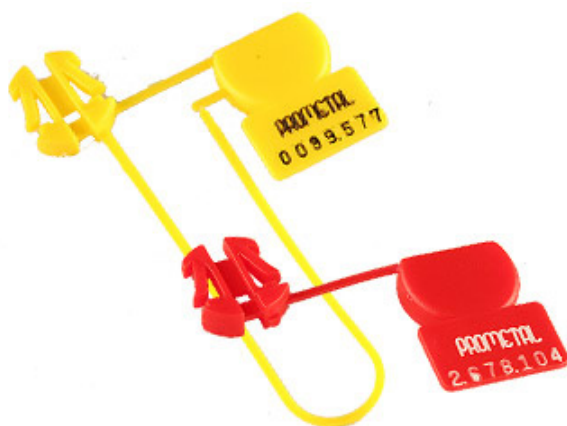
Carton dimensions: 35 x 40 x 40 cm.

PACKAGING MALU without strap

Quantity per box: 5.000 pcs.

Carton weight: 5.500 Kg.

Carton dimensions: 40 x 32 x 27 cm.



APPLICATIONS

Water and electricity meters, valves, engine/motors and boxes

