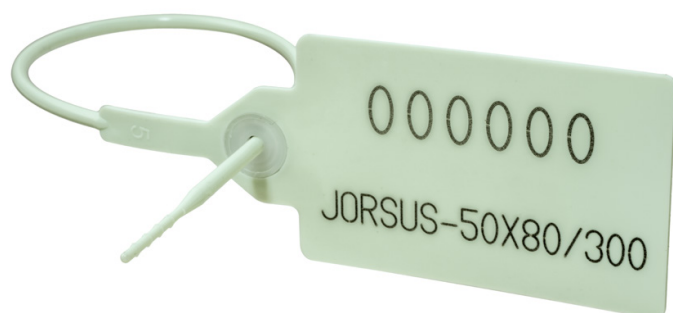


JORSUS-50x80/300

Pull up type security seal



TECHNICAL SPECIFICATIONS

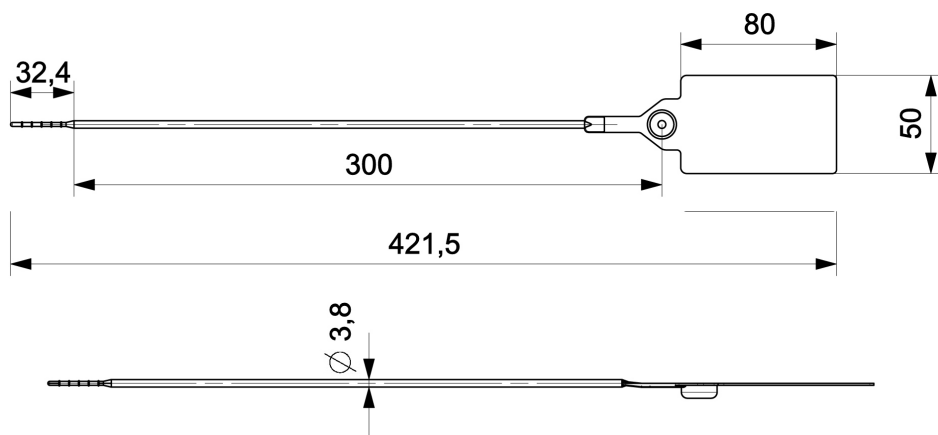
Material: **PP**

Closure: **With metal insert**

Tensile strength: **27 kg.**

Available colours: check

Highly resistant to temperature changes



TECHNICAL DETAILS

Printing Area: **80 x 50 mm.**

Strap section: **∅ 3,8 mm**

Lock length: **300 mm.**

Total length: **421,5 mm.**

PRINTING OPTIONS

Consecutive numbering

Logo and/or text

Barcode

PRINTING TECHNOLOGY

Laser

PACKAGING

Mats of 5 pieces

Quantity per box: 500 uds.

Carton weight: 4,60 Kg.

Carton dimensions: 44 x 26 x 45 cm.

APPLICATIONS

Trucks, Taxidermy, Big Bags,
Mailbags, Refrigerated Trucks

