

EXTIN-4

Cap type security seal



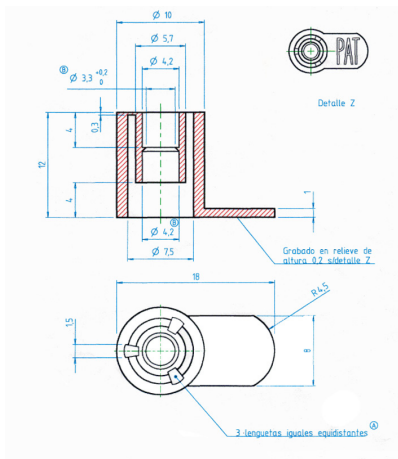
TECHNICAL SPECIFICATIONS

Material: **PE**

Closure: **no metal insert**

Tensile strength: **2 - 10 Kg**

Standard colour: **red**



TECHNICAL DETAILS

Holes for handles: **Ø 3, 5 y 4**

PRINTING OPTIONS

No printing

PRINTING TECHNOLOGY

No printing possibility

PACKAGING

Quantity per box: 5.000 pcs.

Carton weight: 3,300 Kg.

Carton dimensions: 27 x 35 x 19 cm.

APPLICATIONS

Fire extinguishers

